











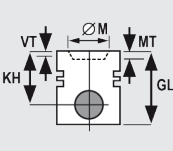

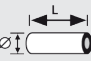

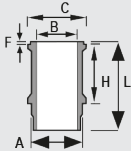
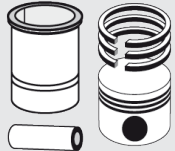

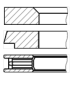












Globally reliable


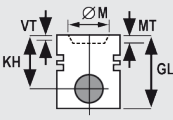

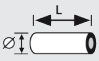

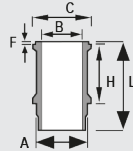
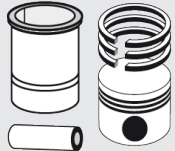
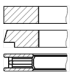

NEWSLETTER P3/1












	ccm 								Info	Pos.
CAWB, CBFA, CCTA,	1984 4	147 KW 200 PS	A3 Cabriolet 2.0 TFSI A3 Sportback 2.0 TFSI TT 2.0 TFSI	04/08 - 05/13 09/04 - 03/13 08/06 - 06/10	82,50	130 050 0052 00 21	4 4	STD 0,50		1

							
1	82,50 mm						
	KH 29,60 VT1 3,00 MT 6,20 MØ 50,00 GL 50,10	RTK TPL	L 56,00 Ø 21,00		1,20 910 IF NIT S PVD 1,50 931 P 2,00 777 NIT S		
		130 050 0052 00 21			120 050 0082 00		

	ccm 								Info	Pos.
JQDA, JQDB	1596	4	110 KW 150 PS	C-MAX II 1.6 EcoBoost GRAND C-MAX 1.6 EcoBoost	12/10 - 12/10 -	79,00	130 021 0010 00	4	STD	1
JQDA, JQDB, YUDA	1596	4	110 KW 150 PS	FOCUS III 1.6 EcoBoost	07/10 -	79,00	130 021 0010 00	4	STD	1
JQGA	1596	4	110 KW 150 PS	TOURNEO CONNECT 1.6 EcoBoost TRANSIT CONNECT 1.6 EcoBoost	11/13 - 11/13 -	79,00	130 021 0010 00	4	STD	1
JQMA, JQMB	1596	4	110 KW 150 PS	KUGA II 1.6 EcoBoost	03/13 -	79,00	130 021 0010 00	4	STD	1
JTBA, JTBB	1596	4	118 KW 160 PS	MONDEO IV 1.6 EcoBoost	11/10 - 01/15	79,00	130 021 0010 00	4	STD	1
JTDA, JTDB	1596	4	134 KW 182 PS	C-MAX II 1.6 EcoBoost FOCUS III 1.6 EcoBoost GRAND C-MAX 1.6 EcoBoost	12/10 - 07/10 - 12/10 -	79,00	130 021 0010 00	4	STD	1
JTMA	1596	4	134 KW 182 PS	KUGA II 1.6 EcoBoost 4x4	03/13 -	79,00	130 021 0010 00	4	STD	1
JTWA, JTWB	1596	4	118 KW 160 PS	GALAXY 1.6 EcoBoost S-MAX 1.6 EcoBoost	11/10 - 06/15 02/11 - 12/14	79,00	130 021 0010 00	4	STD	1

							
1	79,00 mm						
		KH 28,60 MT 11,60 MØ 53,80 GL 54,00	TPL	L 46,00 Ø 21,00		1,20 910 NIT S PVD 1,20 931 FE S 2,00 777 NIT S	
		130 021 0010 00		Coated		120 021 0071 00	










	ccm 								Info	Pos.
G4NB	1797	4	107-110 KW 145-150 PS	ELANTRA 1.8	01/11 -	81,00	130 087 0029 00 21	4 4	STD 0,50	1



HYUNDAI

Globally reliable


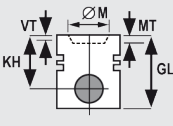



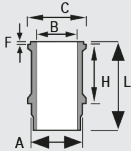
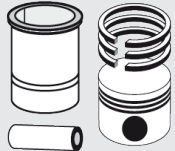

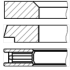

1	81,00 mm						
	KH 28,50 GL 46,00	LOX	L 49,00 Ø 20,00		1,00 910 IF NIT S 1,20 931 IF U 2,00 777 CR S		
	130 087 0029 00 21				121 087 0004 00		










	ccm 								Info	Pos.
CAWB, CAWA, CCTA, CBFA, CCTB	1984 4	125- 47 KW 170-200 PS	BEETLE 2.0 TSI CC 2.0 TSI EOS 2.0 TFSI GOLF V + VI JETTA III +IV 2.0 TFSI PASSAT 2.0 FSI, PASSAT CC 2.0 FSI SCIROCCO 2.0 TSI TIGUAN 2.0 TFSI	04/11 - 11/11 - 12/16 03/06 - 08/15 10/04 - 02/09 10/05 - 07/05 - 01/12 05/08 - 11/09 09/07 -	82,50	130 050 0052 00 21	4 4	STD 0,50		1


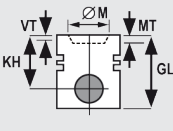

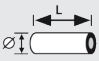

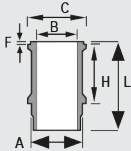
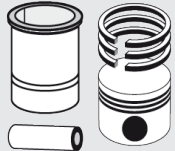
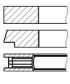



VOLKSWAGEN

Globally reliable

							
1	82,50 mm						
	KH 29,60 VT1 3,00 MT 6,20 MØ 50,00 GL 50,10	RTK TPL	L 56,00 Ø 21,00		1,20 910 IF NIT S PVD 1,50 931 P 2,00 777 NIT S		
	130 050 0052 00 21				120 050 0082 00		

	ccm 								Info	Pos.
B 4164 T	1596	4	132-147 KW 180-200 PS	S60 II T4 S80 II T4 V40 T4 V60 T4 V70 III T4	04/10 - 12/15 10/10 - 03/12 - 09/10 - 12/15 10/10 - 12/15	79,00	130 021 0010 00	4	STD	1
B 4164 T2	1596	4	132 KW 180 PS	S60 II T4F S80 II T4F V60 T4F V70 III 1.6 T4F	04/11 - 12/15 05/11 - 04/11 - 12/15 01/11 - 12/15	79,00	130 021 0010 00	4	STD	1
B 4164 T3	1596	4	110 KW 150 PS	S60 II T3 V40 T3 GTDI V60 T3	04/10 - 12/15 03/12 - 09/10 - 12/15	79,00	130 021 0010 00	4	STD	1
B 4164 T4	1596	4	88 KW 120 PS	V40 T2 GTDI	03/13 - 12/15	79,00	130 021 0010 00	4	STD	1

							
1	79,00 mm						
		KH 28,60 MT 11,60 MØ 53,80 GL 54,00	TPL	L 46,00 Ø 21,00		1,20 910 NIT S PVD 1,20 931 FE S 2,00 777 NIT S	
		130 021 0010 00		Coated		120 021 0071 00	