

New Items 2017

Covind code	Original code	Description	Brand	Communication
095/200	504299444	FRONT MUDGUARD RH	Iveco	June 2017



Original code: 504299444
 Vehicle: IVECO - EUROCARGO 2008 - 095
 IVECO - EUROCARGO 2015 - 195
 Families: FRONT MUDGUARDS
 Description: FRONT MUDGUARD RH
 Color: BLACK
 Material: SMC
 Weight: 5,1 KG
 Pcs/Pack: 1
 Foreign minimum offer: 0







Covind code	Original code	Description	Brand	Communication
195/ 90	5801696201	BUMPER	Iveco	June 2017







Original code: 5801696201
 Vehicle: IVECO - EUROCARGO 2015 - 195
 Families: BUMPERS ,CAP
 Description: BUMPER
 WITHOUT FOGLAMP HOLES
 Color: BLACK
 Material: PPL-PV
 Weight: 8,38 KG
 Pcs/Pack: 1
 Foreign minimum offer: 0



Covind code	Original code	Description	Brand	Communication
195/ 95	5801690552	BUMPER	Iveco	June 2017
		<p>Original code: 5801690552 Vehicle: IVECO - EUROCARGO 2015 - 195 Families: BUMPERS ,CAP Description: BUMPER WITH FOGLAMP HOLES Color: BLACK Material: PPL-PV Weight: 8,33 KG Pcs/Pack: 1 Foreign minimum offer: 0</p>		
				

Covind code	Original code	Description	Brand	Communication
195/ 96	5801693428	SUPPORT RH	Iveco	June 2017
		<p>Original code: 5801693428 Vehicle: IVECO - EUROCARGO 2015 - 195 Families: BUMPERS ,CAP Description: SUPPORT RH Material: PA-GF Weight: 0,045 KG Pcs/Pack: 1 Foreign minimum offer: 6</p>		
				

Covind code	Original code	Description	Brand	Communication
195/ 97	5801693429	SUPPORT LH	Iveco	June 2017
		<p>Original code: 5801693429 Vehicle: IVECO - EUROCARGO 2015 - 195 Families: BUMPERS ,CAP Description: SUPPORT LH Material: PA-GF Weight: 0,045 KG Pcs/Pack: 1 Foreign minimum offer: 6</p>		
				

Covind code	Original code	Description	Brand	Communication
195/ 98	5801693423	SUPPORT RH	Iveco	June 2017
		<p>Original code: 5801693423 Vehicle: IVECO - EUROCARGO 2015 - 195 Families: BUMPERS ,CAP Description: SUPPORT RH Material: PA-GF Weight: 0,115 KG Pcs/Pack: 1 Foreign minimum offer: 6</p>		
				

Covind code	Original code	Description	Brand	Communication
-------------	---------------	-------------	-------	---------------

195/ 99

5801693424

SUPPORT LH

Iveco

June 2017



Original code: 5801693424
Vehicle: IVECO - EUROCARGO 2015 - 195
Families: BUMPERS ,CAP
Description: SUPPORT LH
Material: PA-GF
Weight: 0,115 KG
Pcs/Pack: 1
Foreign minimum offer: 6



Covind code	Original code	Description	Brand	Communication
-------------	---------------	-------------	-------	---------------

195/210

504329071

STEP PLATE RH

Iveco

June 2017



Original code: 504329071
Vehicle: IVECO - EUROCARGO 2015 - 195
IVECO - EUROCARGO 2008 - 095
Families: STEP
Description: STEP PLATE RH
Color: BLACK
Material: PA-GF
Weight: 0,71 KG
Pcs/Pack: 1
Foreign minimum offer: 2



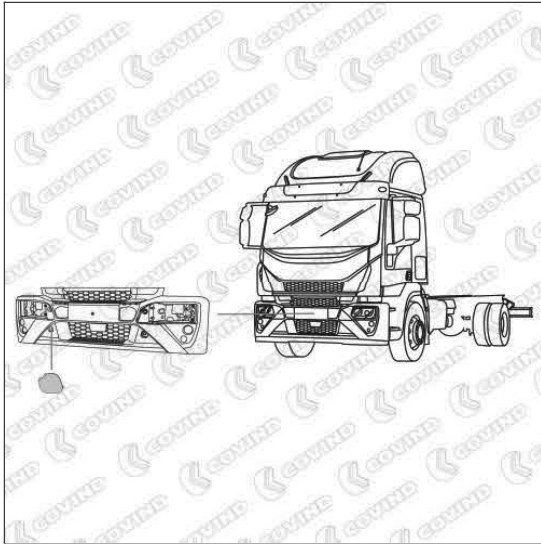
Covind code	Original code	Description	Brand	Communication
195/211	504329073	STEP PLATE LH	Iveco	June 2017



Original code: 504329073
 Vehicle: IVECO - EUROCARGO 2015 - 195
 IVECO - EUROCARGO 2008 - 095
 IVECO - EUROCARGO 2008 - 135
 IVECO - EUROCARGO 2015 - 225
 Families: STEP
 Description: STEP PLATE LH
 Color: BLACK
 Material: PA-GF
 Weight: 0,71 KG
 Pcs/Pack: 1
 Foreign minimum offer: 2



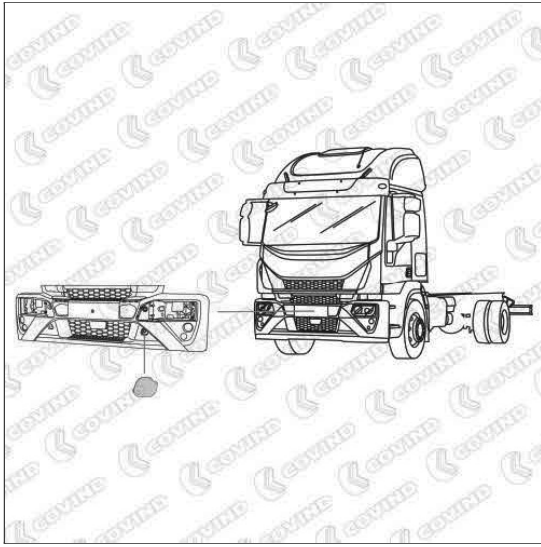
Covind code	Original code	Description	Brand	Communication
225/ 86	5801692828	CAP ON BUMPER RH	Iveco	June 2017



Original code: 5801692828
 Vehicle: IVECO - EUROCARGO 2015 - 225
 Families: BUMPERS ,CAP
 Description: CAP ON BUMPER RH
 Color: BLACK
 Material: PP-TD
 Weight: 0,01 KG
 Pcs/Pack: 1
 Foreign minimum offer: 6



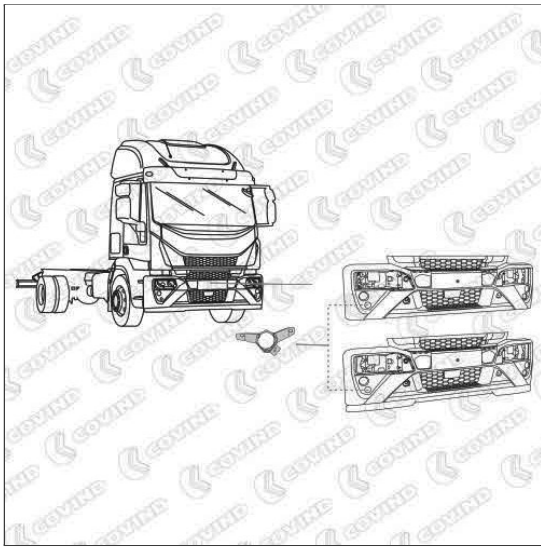
Covind code	Original code	Description	Brand	Communication
225/ 87	5801692841	CAP ON BUMPER LH	Iveco	June 2017



Original code: 5801692841
 Vehicle: IVECO - EURO CARGO 2015 - 225
 Families: BUMPERS ,CAP
 Description: CAP ON BUMPER LH
 Color: BLACK
 Material: PP-TD
 Weight: 0,01 KG
 Pcs/Pack: 1
 Foreign minimum offer: 6



Covind code	Original code	Description	Brand	Communication
225/ 96	5801692253	SUPPORT RH	Iveco	June 2017



Original code: 5801692253
 Vehicle: IVECO - EURO CARGO 2015 - 225
 Families: BUMPERS ,CAP
 Description: SUPPORT RH
 Material: PA-GF
 Weight: 0,05 KG
 Pcs/Pack: 1
 Foreign minimum offer: 6



Covind code	Original code	Description	Brand	Communication
-------------	---------------	-------------	-------	---------------

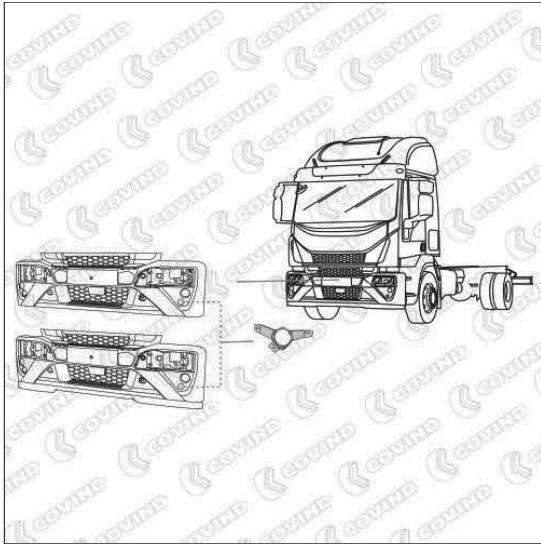
225/ 97

5801692254

SUPPORT LH

Iveco

June 2017



Original code: 5801692254
Vehicle: IVECO - EUROCARGO 2015 - 225
Families: BUMPERS ,CAP
Description: SUPPORT LH
Material: PA-GF
Weight: 0,055 KG
Pcs/Pack: 1
Foreign minimum offer: 6



Covind code	Original code	Description	Brand	Communication
-------------	---------------	-------------	-------	---------------

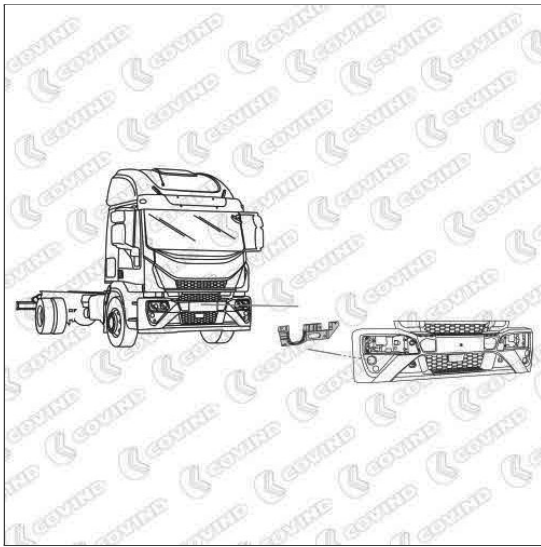
225/ 98

5801691384

SUPPORT RH

Iveco

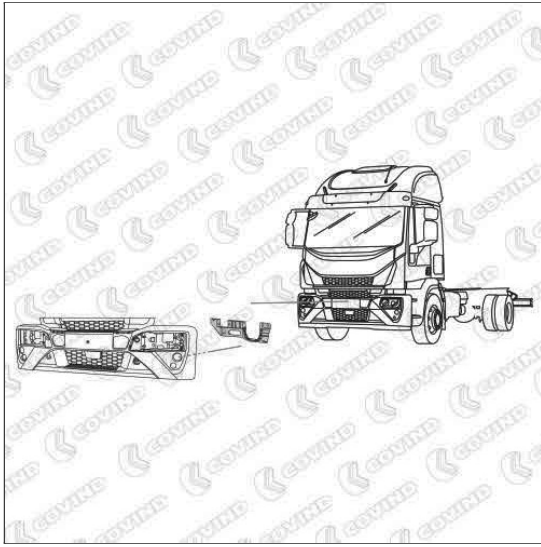
June 2017



Original code: 5801691384
Vehicle: IVECO - EUROCARGO 2015 - 225
Families: BUMPERS ,CAP
Description: SUPPORT RH
Material: PA-GF
Weight: 0,105 KG
Pcs/Pack: 1
Foreign minimum offer: 4



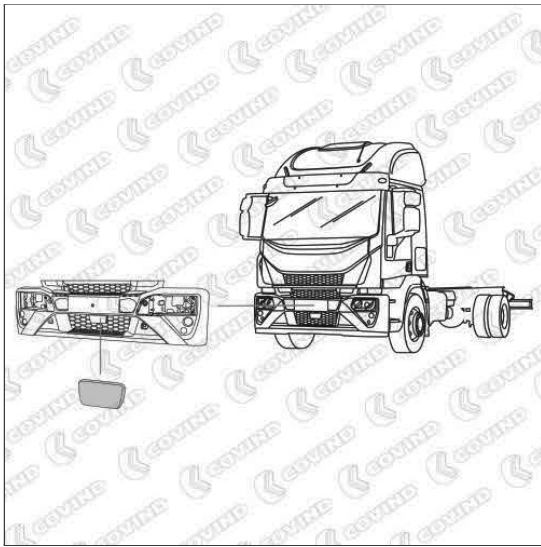
Covind code	Original code	Description	Brand	Communication
225/ 99	5801691386	SUPPORT LH	Iveco	June 2017



Original code: 5801691386
 Vehicle: IVECO - EUROCARGO 2015 - 225
 Families: BUMPERS ,CAP
 Description: SUPPORT LH
 Material: PA-GF
 Weight: 0,105 KG
 Pcs/Pack: 1
 Foreign minimum offer: 4



Covind code	Original code	Description	Brand	Communication
225/105	5801938050	CAP ON BUMPER	Iveco	June 2017



Original code: 5801938050
 Vehicle: IVECO - EUROCARGO 2015 - 225
 Families: BUMPERS ,CAP
 Description: CAP ON BUMPER
 Color: BLACK
 Material: PP
 Weight: 0,05 KG
 Pcs/Pack: 1
 Foreign minimum offer: 4



Covind code	Original code	Description	Brand	Communication
225/200	504301907	FRONT MUDGUARD RH	Iveco	June 2017



Original code: 504301907
 Vehicle: IVECO - EUROCARGO 2015 - 225
 IVECO - EUROCARGO 2008 - 135
 Families: FRONT MUDGUARDS
 Description: FRONT MUDGUARD RH
 Color: BLACK
 Material: SMC
 Material: SMC
 Weight: 8,035 KG
 Pcs/Pack: 1
 Foreign minimum offer: 0



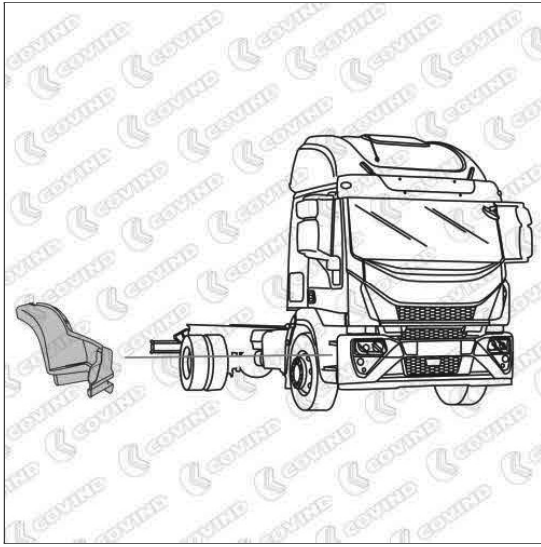
Covind code	Original code	Description	Brand	Communication
225/201	504301912	FRONT MUDGUARD LH	Iveco	June 2017



Original code: 504301912
 Vehicle: IVECO - EUROCARGO 2015 - 225
 IVECO - EUROCARGO 2008 - 135
 Families: FRONT MUDGUARDS
 Description: FRONT MUDGUARD LH
 Color: BLACK
 Material: SMC
 Weight: 8,035 KG
 Pcs/Pack: 1
 Foreign minimum offer: 0



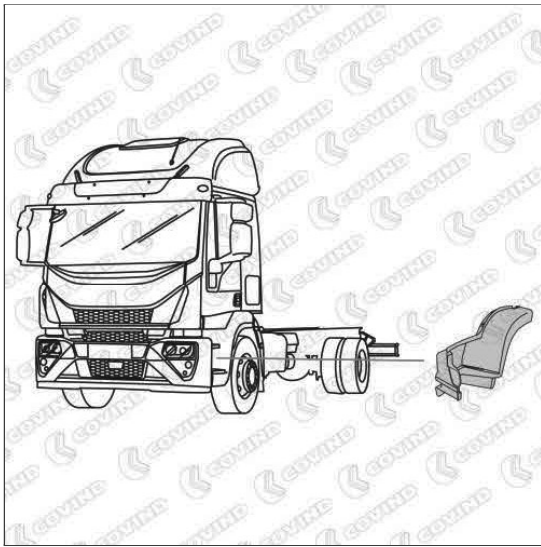
Covind code	Original code	Description	Brand	Communication
225/204	504302562	FRONT MUDGUARD RH	Iveco	June 2017



Original code: 504302562
 Vehicle: IVECO - EUROCARGO 2015 - 225
 IVECO - EUROCARGO 2008 - 135
 Families: FRONT MUDGUARDS
 Description: FRONT MUDGUARD RH
 Color: BLACK
 Material: SMC
 Weight: 6,63 KG
 Pcs/Pack: 1
 Foreign minimum offer: 0



Covind code	Original code	Description	Brand	Communication
225/205	504302568	FRONT MUDGUARD LH	Iveco	June 2017



Original code: 504302568
 Vehicle: IVECO - EUROCARGO 2015 - 225
 IVECO - EUROCARGO 2008 - 135
 Families: FRONT MUDGUARDS
 Description: FRONT MUDGUARD LH
 Color: BLACK
 Material: SMC
 Weight: 6,63 KG
 Pcs/Pack: 1
 Foreign minimum offer: 0



Covind code	Original code	Description	Brand	Communication
225/210	504329074	STEP PLATE RH	Iveco	June 2017



Original code: 504329074
 Vehicle: IVECO - EUROCARGO 2015 - 225
 IVECO - EUROCARGO 2008 - 095
 IVECO - EUROCARGO 2008 - 135
 IVECO - EUROCARGO 2015 - 195
 Families: STEP
 Description: STEP PLATE RH
 Color: BLACK
 Material: PA-GF
 Weight: 0,82 KG
 Pcs/Pack: 1
 Foreign minimum offer: 2



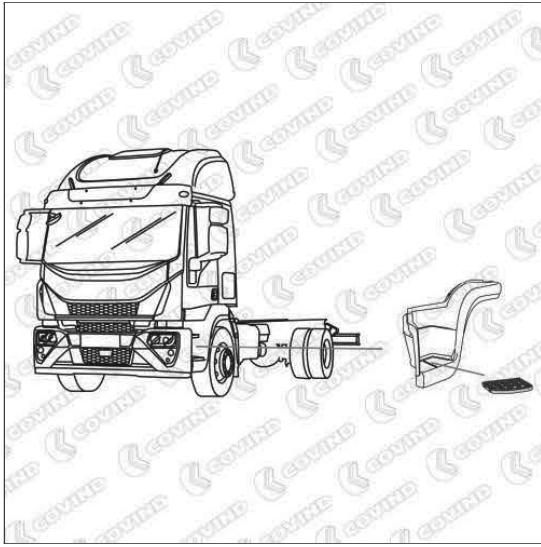
Covind code	Original code	Description	Brand	Communication
225/212	504329078	STEP PLATE RH	Iveco	June 2017



Original code: 504329078
 Vehicle: IVECO - EUROCARGO 2015 - 225
 Families: STEP
 Description: STEP PLATE RH
 Color: BLACK
 Material: PA-GF
 Weight: 0,78 KG
 Pcs/Pack: 1
 Foreign minimum offer: 2



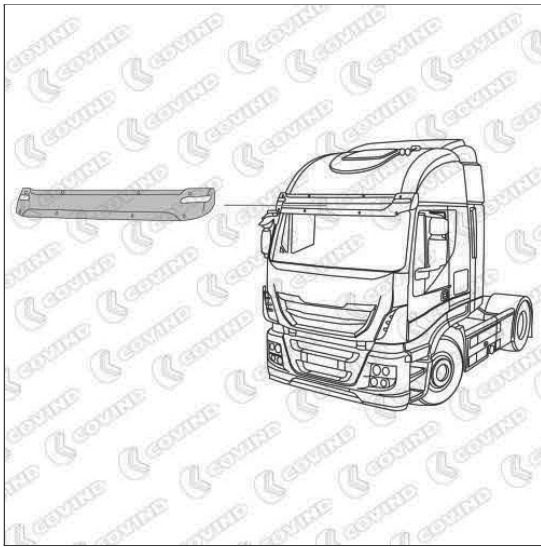
Covind code	Original code	Description	Brand	Communication
225/213	504329077	STEP PLATE LH	Iveco	June 2017



Original code: 504329077
 Vehicle: IVECO - EUROCARGO 2015 - 225
 Families: STEP
 Description: STEP PLATE LH
 Color: BLACK
 Material: PA-GF
 Weight: 0,78 KG
 Pcs/Pack: 1
 Foreign minimum offer: 2



Covind code	Original code	Description	Brand	Communication
580/400	5801715565	SUN VISOR	Iveco	June 2017

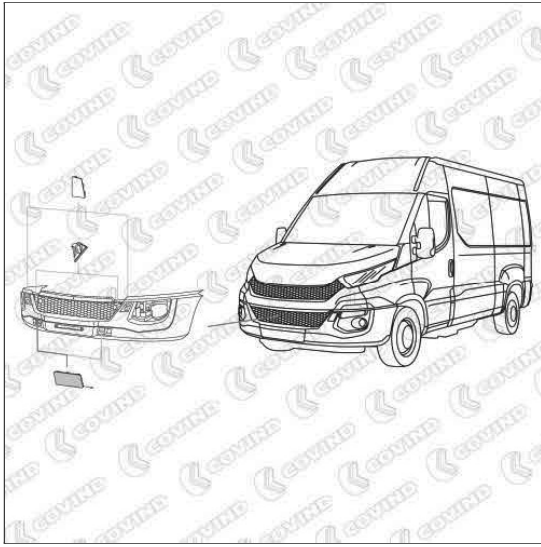


Original code: 5801715565
 Vehicle: IVECO - HI WAY AS STRALIS 2013
 Families: SUN VISOR
 Description: SUN VISOR
 Material: PMMA
 Weight: 4,65 KG
 Pcs/Pack: 1
 Foreign minimum offer: 0



Covind code	Original code	Description	Brand	Communication
-------------	---------------	-------------	-------	---------------

D14/102	5801630222	CAP ON BUMPER RH	Iveco	June 2017
---------	------------	------------------	-------	-----------



Original code: 5801630222
Vehicle: IVECO - DAILY 2014
Families: BUMPERS ,CAP
Description: CAP ON BUMPER RH
LOWER
Color: BLACK
Material: PP-TD
Weight: 0,02 KG
Pcs/Pack: 1
Foreign minimum offer: 10



Covind code	Original code	Description	Brand	Communication
-------------	---------------	-------------	-------	---------------

D14/103	5801603636	CAP ON BUMPER LH	Iveco	June 2017
---------	------------	------------------	-------	-----------



Original code: 5801603636
Vehicle: IVECO - DAILY 2014
Families: BUMPERS ,CAP
Description: CAP ON BUMPER LH
LOWER
Color: BLACK
Material: PP-TD
Weight: 0,02 KG
Pcs/Pack: 1
Foreign minimum offer: 10



Covind code	Original code	Description	Brand	Communication
D14/106	5801629789	CAP RH	Iveco	June 2017



Original code: 5801629789
 Vehicle: IVECO - DAILY 2014
 Families: BUMPERS ,CAP
 Description: CAP RH
 ON PROTECTION GRILLE
 Color: BLACK
 Material: PP-TD
 Weight: 0,015 KG
 Pcs/Pack: 1
 Foreign minimum offer: 10



Covind code	Original code	Description	Brand	Communication
D14/107	5801629792	CAP LH	Iveco	June 2017

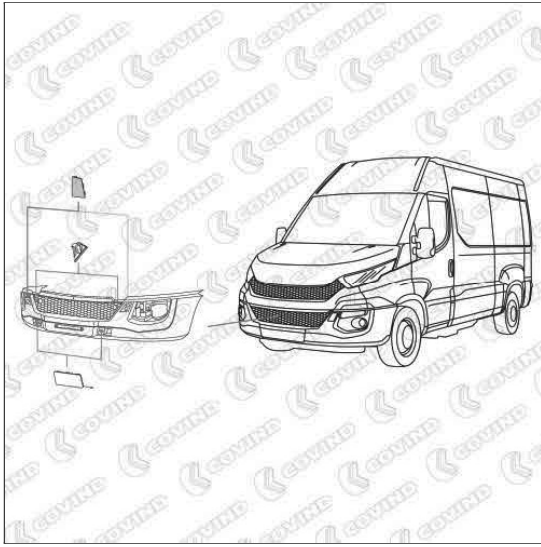


Original code: 5801629792
 Vehicle: IVECO - DAILY 2014
 Families: BUMPERS ,CAP
 Description: CAP LH
 ON PROTECTION GRILLE
 Color: BLACK
 Material: PP-TD
 Weight: 0,015 KG
 Pcs/Pack: 1
 Foreign minimum offer: 10



Covind code	Original code	Description	Brand	Communication
-------------	---------------	-------------	-------	---------------

D14/108	5801582700	CAP ON BUMPER RH	Iveco	June 2017
---------	------------	------------------	-------	-----------



Original code: 5801582700
Vehicle: IVECO - DAILY 2014
Families: BUMPERS ,CAP
Description: CAP ON BUMPER RH
UPPER
Color: BLACK
Material: PP-TD
Weight: 0,015 KG
Pcs/Pack: 1
Foreign minimum offer: 10



Covind code	Original code	Description	Brand	Communication
-------------	---------------	-------------	-------	---------------

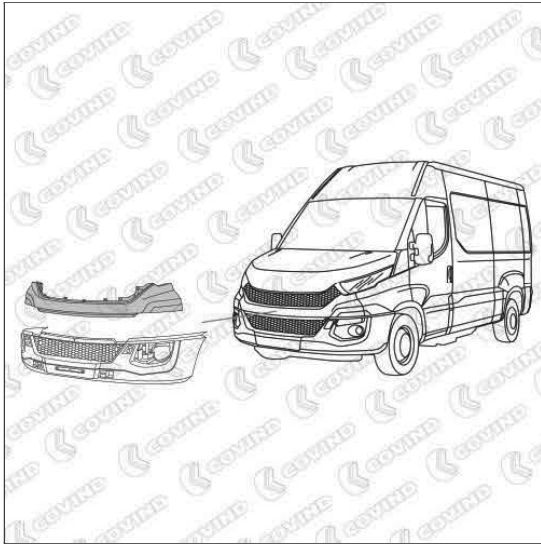
D14/109	5801582711	CAP ON BUMPER LH	Iveco	June 2017
---------	------------	------------------	-------	-----------



Original code: 5801582711
Vehicle: IVECO - DAILY 2014
Families: BUMPERS ,CAP
Description: CAP ON BUMPER LH
UPPER
Color: BLACK
Material: PP-TD
Weight: 0,015 KG
Pcs/Pack: 1
Foreign minimum offer: 10



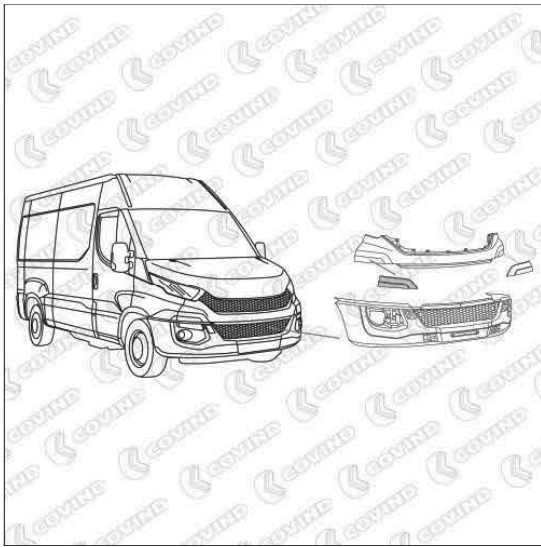
Covind code	Original code	Description	Brand	Communication
D14/120	5801772693	FRONT CROSSMEMBER	Iveco	June 2017



Original code: 5801772693
Vehicle: IVECO - DAILY 2014
Families: BUMPERS ,CAP
Description: FRONT CROSSMEMBER
Color: LIGHT GREY
Material: ABS
Weight: 2,25 KG
Pcs/Pack: 1
Foreign minimum offer: 0



Covind code	Original code	Description	Brand	Communication
D14/196	5801847137	MOLDING RH	Iveco	June 2017



Original code: 5801847137
Vehicle: IVECO - DAILY 2014
Families: BUMPERS ,CAP
Description: MOLDING RH
ON FRONT CROSSMEMBER
Color: BLACK
Material: PP-TD
Weight: 0,105 KG
Pcs/Pack: 1
Foreign minimum offer: 2



Covind code	Original code	Description	Brand	Communication
D14/197	5801847132	MOLDING LH	Iveco	June 2017



Original code: 5801847132
 Vehicle: IVECO - DAILY 2014
 Families: BUMPERS ,CAP
 Description: MOLDING LH
 ON FRONT CROSSMEMBER
 Color: BLACK
 Material: PP-TD
 Weight: 0,105 KG
 Pcs/Pack: 1
 Foreign minimum offer: 2



Covind code	Original code	Description	Brand	Communication
D14/500	5802028037	REAR-VIEW MIRROR RH	Iveco	June 2017



Original code: 5802028037
 5801552553
 Vehicle: IVECO - DAILY 2014
 Families: REAR VIEW MIRRORS
 Description: REAR-VIEW MIRROR RH
 ELECTRIC, HEATED
 Color: BLACK
 Material: ABS
 Hand Drive: LEFT -HAND DRIVE
 Arm: SHORT
 Mirror Dimension: 465X295 MM
 Weight: 2,345 KG
 Pcs/Pack: 1
 Foreign minimum offer: 0



Covind code	Original code	Description	Brand	Communication
-------------	---------------	-------------	-------	---------------

D14/501	5802028036	REAR-VIEW MIRROR LH	Iveco	June 2017
---------	------------	---------------------	-------	-----------



Original code: 5802028036
5801552552
Vehicle: IVECO - DAILY 2014
Families: REAR VIEW MIRRORS
Description: REAR-VIEW MIRROR LH
ELECTRIC, HEATED
Color: BLACK
Material: ABS
Hand Drive: LEFT -HAND DRIVE
Arm: SHORT
Mirror Dimension: 465X290 MM
Weight: 2,29 KG
Pcs/Pack: 1
Foreign minimum offer: 0



Covind code	Original code	Description	Brand	Communication
-------------	---------------	-------------	-------	---------------

D14/530	5801823334	SIDE LAMP RH	Iveco	June 2017
---------	------------	--------------	-------	-----------



Original code: 5801823334
Vehicle: IVECO - DAILY 2014
Families: LIGHTING
Description: SIDE LAMP RH
ON REAR-VIEW MIRROR, WITHOUT
BULB HOLDER
Weight: 0,09 KG
Pcs/Pack: 1
Foreign minimum offer: 0



Covind code	Original code	Description	Brand	Communication
-------------	---------------	-------------	-------	---------------

D14/531	5801823572	SIDE LAMP LH	Iveco	June 2017
		<p>Original code: 5801823572 Vehicle: IVECO - DAILY 2014 Families: LIGHTING Description: SIDE LAMP LH ON REAR-VIEW MIRROR, WITHOUT BULB HOLDER Weight: 0,09 KG Pcs/Pack: 1 Foreign minimum offer: 0</p>		
				

Covind code	Original code	Description	Brand	Communication
-------------	---------------	-------------	-------	---------------

D14/550	5801823306	MAIN MIRROR GLASS RH	Iveco	June 2017
		<p>Original code: 5801823306 Vehicle: IVECO - DAILY 2014 Families: REAR VIEW MIRRORS Description: MAIN MIRROR GLASS RH SPARE PART FOR D14/500 Hand Drive: RIGHT/LEFT-HAND DRIVE Class: II Glass Dimension: 205X160 MM Weight: 0,185 KG Pcs/Pack: 1 Foreign minimum offer: 0</p>		
				

Covind code	Original code	Description	Brand	Communication
D14/551	5801823992	MAIN MIRROR GLASS LH	Iveco	June 2017



Original code: 5801823992
 Vehicle: IVECO - DAILY 2014
 Families: REAR VIEW MIRRORS
 Description: MAIN MIRROR GLASS LH
 SPARE PART FOR D14/501
 Hand Drive: RIGHT/LEFT-HAND DRIVE
 Class: II
 Glass Dimension: 205X160 MM
 Weight: 0,185 KG
 Pcs/Pack: 1
 Foreign minimum offer: 0



Covind code	Original code	Description	Brand	Communication
D14/552	5801823346	AUX. MIRROR GLASS RH	Iveco	June 2017



Original code: 5801823346
 Vehicle: IVECO - DAILY 2014
 Families: REAR VIEW MIRRORS
 Description: AUX. MIRROR GLASS RH
 SPARE PART FOR D14/500
 Hand Drive: RIGHT/LEFT-HAND DRIVE
 Glass Dimension: 105X145 MM
 Weight: 0,055 KG
 Pcs/Pack: 1
 Foreign minimum offer: 0



Covind code	Original code	Description	Brand	Communication
D14/553	5801823557	AUX. MIRROR GLASS LH	Iveco	June 2017



Original code: 5801823557
 Vehicle: IVECO - DAILY 2014
 Families: REAR VIEW MIRRORS
 Description: AUX. MIRROR GLASS LH
 SPARE PART FOR D14/501
 Hand Drive: RIGHT/LEFT-HAND DRIVE
 Glass Dimension: 105X145 MM
 Weight: 0,055 KG
 Pcs/Pack: 1
 Foreign minimum offer: 0



Covind code	Original code	Description	Brand	Communication
D14/561	5801874640	FRONT LAMP LH	Iveco	June 2017



Original code: 5801874640
 Vehicle: IVECO - DAILY 2014
 Families: LIGHTING
 Description: FRONT LAMP LH
 WITH BULB HOLDER
 Weight: 0,375 KG
 Pcs/Pack: 1
 Foreign minimum offer: 2



Covind code	Original code	Description	Brand	Communication
-------------	---------------	-------------	-------	---------------

D14/630

5801523221

REAR LAMP RH

Iveco

June 2017



Original code: 5801523221
Vehicle: IVECO - DAILY 2014
Families: LIGHTING
Description: REAR LAMP RH
(VAN VERSION)
Weight: 2,055 KG
Pcs/Pack: 1
Foreign minimum offer: 0



Covind code	Original code	Description	Brand	Communication
-------------	---------------	-------------	-------	---------------

D14/631

5801523220

REAR LAMP LH

Iveco

June 2017



Original code: 5801523220
Vehicle: IVECO - DAILY 2014
Families: LIGHTING
Description: REAR LAMP LH
(VAN VERSION)
Weight: 2,06 KG
Pcs/Pack: 1
Foreign minimum offer: 0



Covind code	Original code	Description	Brand	Communication
-------------	---------------	-------------	-------	---------------

D14/700

5801587021

FOGLAMP RH/LH

Iveco

June 2017



Original code: 5801587021
Vehicle: IVECO - DAILY 2014
Families: LIGHTING
Description: FOGLAMP RH/LH
WITH BULB HOLDER AND BULB H11
Weight: 0,255 KG
Pcs/Pack: 1
Foreign minimum offer: 0



Covind code	Original code	Description	Brand	Communication
-------------	---------------	-------------	-------	---------------

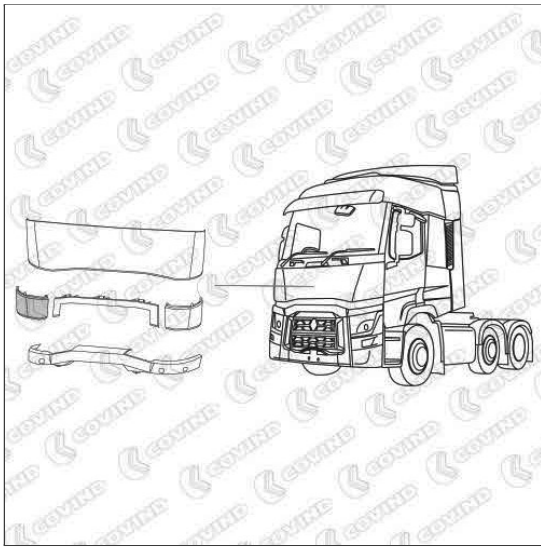
RRT/160

7482250945

CORNER RH

Renault


June 2017



Original code: 7482250945
Vehicle: RENAULT - RANGE T EURO 6
Families: FRONT COVERS
Description: CORNER RH
HIGH CAB
Color: WHITE
Material: PLASTIC
Weight: 0,58 KG
Pcs/Pack: 1
Foreign minimum offer: 0



Covind code	Original code	Description	Brand	Communication
RRT/161	7482221093	CORNER LH	Renault	June 2017
		<p>Original code: 7482221093 Vehicle: RENAULT - RANGE T EURO 6 Families: FRONT COVERS Description: CORNER LH HIGH CAB Color: WHITE Material: PLASTIC Weight: 0,585 KG Pcs/Pack: 1 Foreign minimum offer: 0</p>		
				

Covind code	Original code	Description	Brand	Communication
146/265	1885940	LOWER GRILLE	Scania	June 2017
		<p>Original code: 1885940 Vehicle: SCANIA - SERIE R 2010 CP SCANIA - SERIE R 2010 CG-CR Families: RADIATOR GRILLES Description: LOWER GRILLE WITHOUT HOLES FOR ADDITIONAL STEP, FOR CHASSIS WIDTH MM. 1140 Material: SMC Weight: 8,915 KG Pcs/Pack: 1 Foreign minimum offer: 0</p>		
		